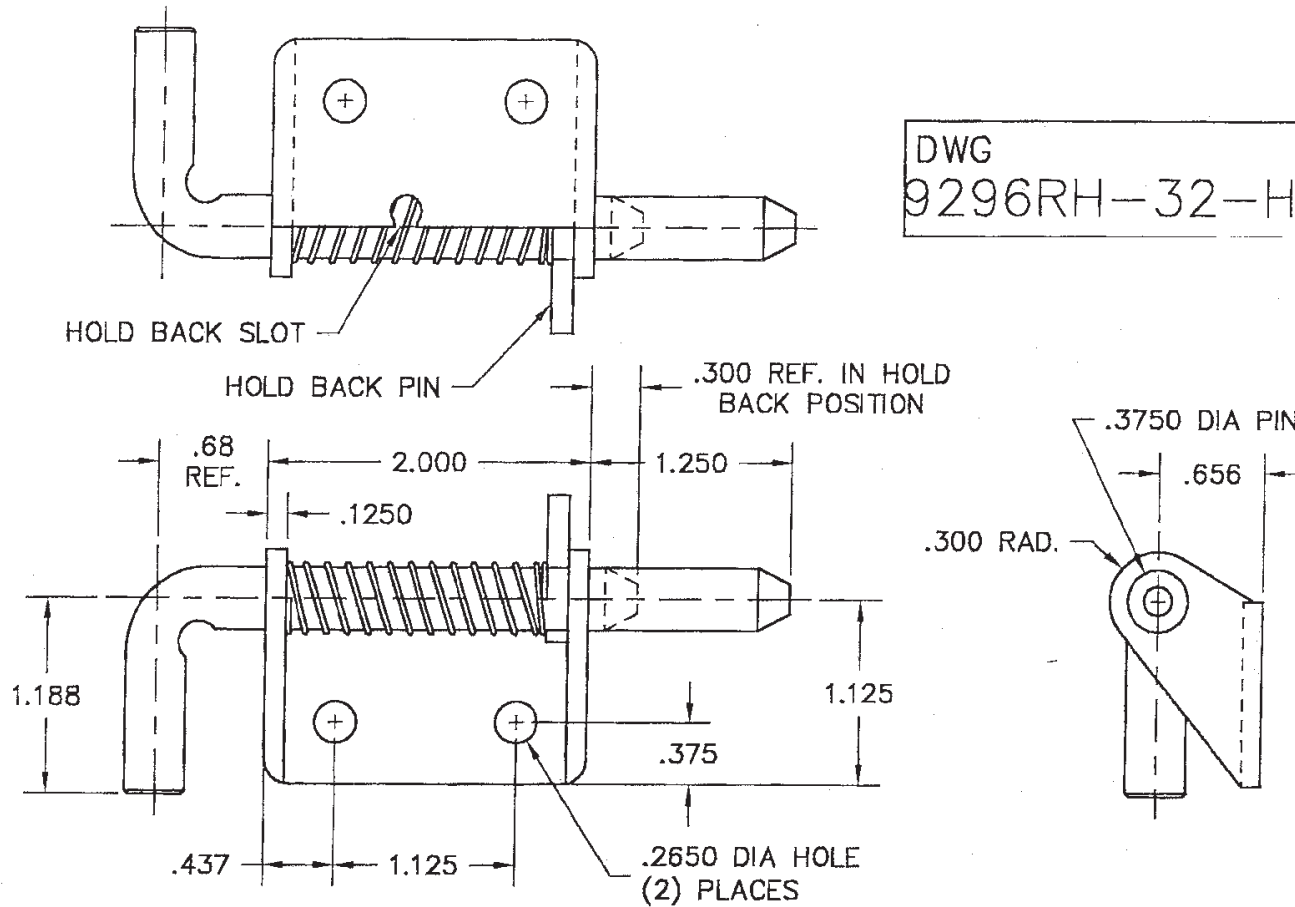


APPROVAL - CUSTOMER NAME & SIGNATURE

DATE

DWG
9296RH-32-HB



ALLEGIS

1-866-378-7550

MATERIAL:

Stainless Steel

DRAWING NO.:

9296RH32

FINISH:

REV.:

1:1

DATE:

6/13/2019